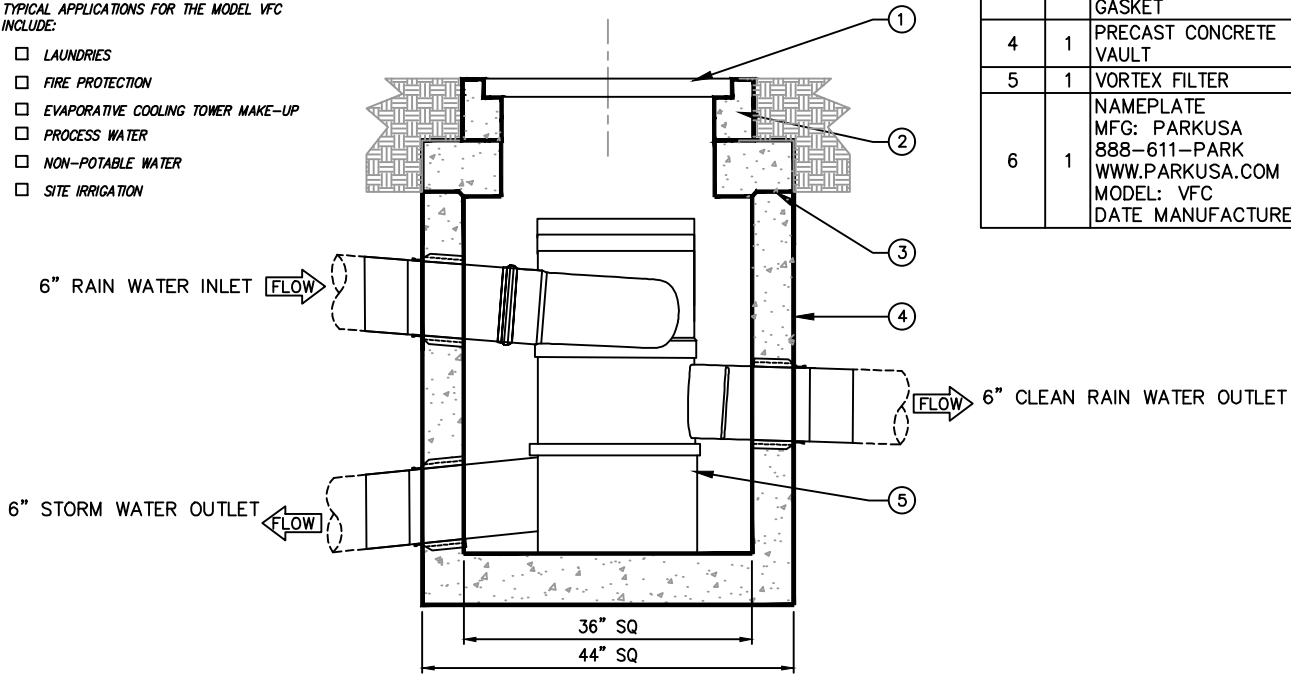


TOP VIEW

KEYED NOTES		
MARK	QTY	DESCRIPTION
1	1	30" GAV STEEL ACCESS COVER
2	1	3" RISER EXTENSION
3	1	JOINTS TO BE SEALED W/ PLASTIC RAM-NEK GASKET
4	1	PRECAST CONCRETE VAULT
5	1	VORTEX FILTER
6	1	NAMEPLATE MFG: PARKUSA 888-611-PARK WWW.PARKUSA.COM MODEL: VFC DATE MANUFACTURED

APPLICATIONS:
TYPICAL APPLICATIONS FOR THE MODEL VFC INCLUDE:

- LAUNDRIES
- FIRE PROTECTION
- EVAPORATIVE COOLING TOWER MAKE-UP
- PROCESS WATER
- NON-POTABLE WATER
- SITE IRRIGATION



ELEVATION




PLEASE CALL FOR ADDITIONAL SIZES & DIMENSIONS.

SPECIFICATIONS

- CONCRETE:** CLASS 1 CONCRETE WITH DESIGN STRENGTH OF 4500 PSI AT 28 DAYS. UNIT IS OF MONOLITHIC CONSTRUCTION AT FLOOR AND FIRST STAGE OF WALL WITH SECTIONAL RISER TO REQUIRED DEPTH.
- REINFORCEMENT:** GRADE 60 REINFORCED WITH STEEL REBAR CONFORMING TO ASTM A615 AND ASTM-C478 ON REQUIRED CENTERS OR EQUAL.
- COVER & FRAME:** ALL STEEL FABRICATION SHALL BE IN ACCORDANCE TO AWA D1.1. STEEL SHALL BE ASTM A36 CARBON STEEL, AND HOT-DIPPED GALVANIZED AFTER FABRICATION IN ACCORDANCE TO ASTM A123.

© ParkUSA. ALL RIGHTS RESERVED.



**VORTEX FILTER
IN PRECAST CONCRETE VAULT**

PM	PC	DRN	ENG	DWG. NO.	REV.
DATE	2023			VFC-1	A

PLOTTED ON 4/18/2024 3:51 PM BY Mr. Kate C. Users\jvu\Desktop\new.pdf\VFC-1