

GRATING

- A - CAST IRON (PHX)
- B - DUCTILE IRON (PHX)
- J - BRONZE (P)
- Z - NONE

BAR GRATING

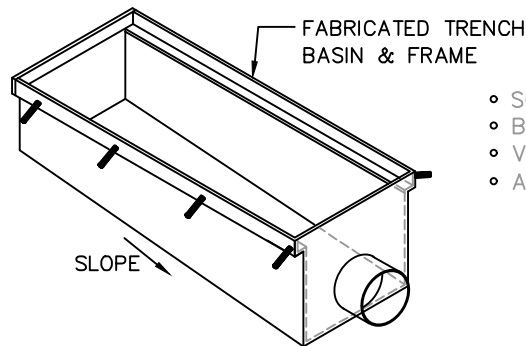
- C - GALVANIZED STEEL (PHX)
- D - STAINLESS STEEL (PH)
- E - FIBERGLASS (P)

SOLID COVER

- F - GALVANIZED STEEL (PHX)
- G - STAINLESS STEEL (PH)
- H - FIBERGLASS (P)

COVER/GRATE STYLE

- LOAD RATING**
- P - PEDESTRIAN DUTY
 - H - HEAVY DUTY (H20)
 - X - EXTRA HEAVY DUTY (H40)



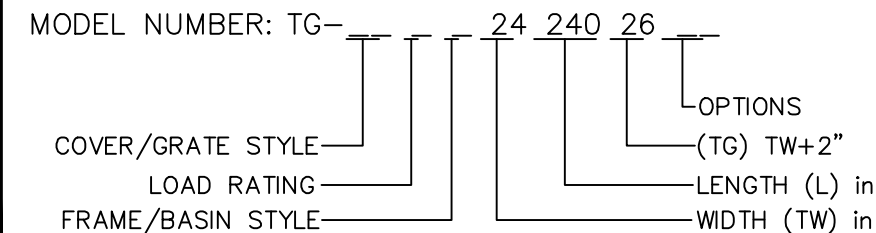
- SC - STAINLESS STEEL SCREEN
- BD - BOLT DOWN GRATE/COVER
- VP - VANDAL PROOF
- AD - ADA APPROVED

OPTIONS

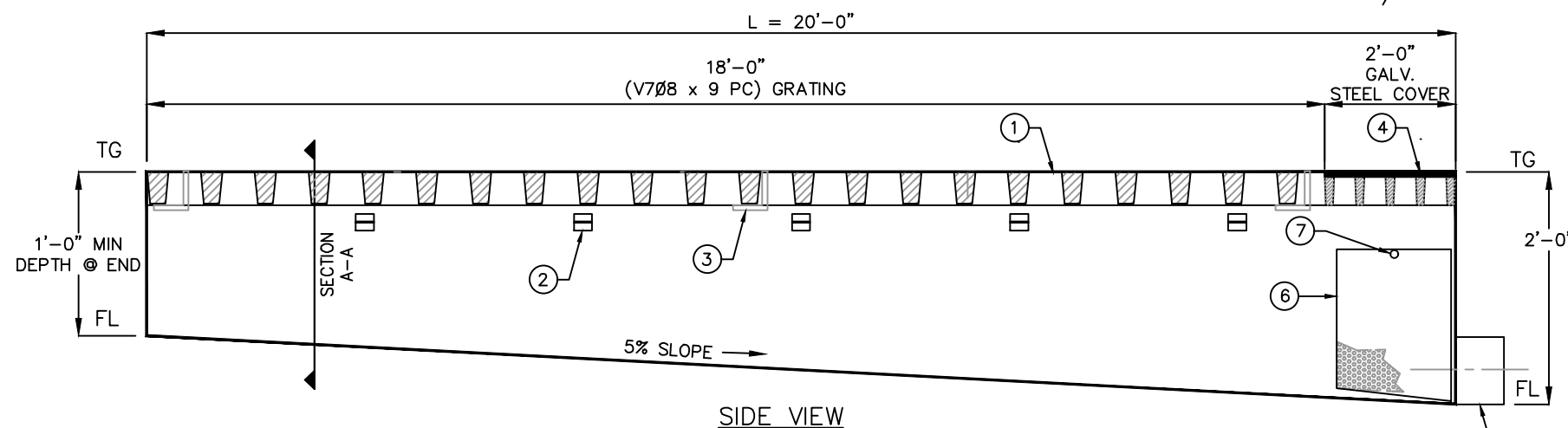
- A - GALVANIZED STEEL
- B - STAINLESS STEEL
- C - HD POLYETHYLENE
- D - POLYPROPYLENE
- E - FIBERGLASS
- Z - NONE

FRAME/BASIN STYLE

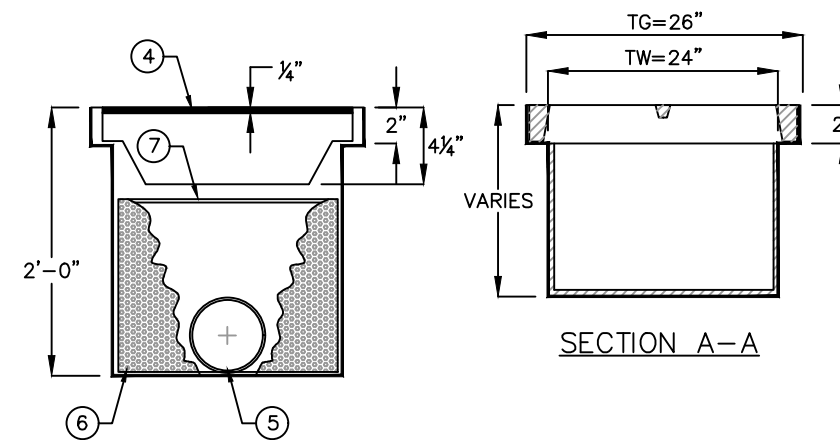
MODEL NUMBER



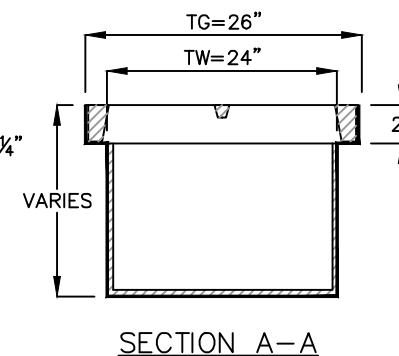
*** SPECIFIED BY CUSTOMER ***



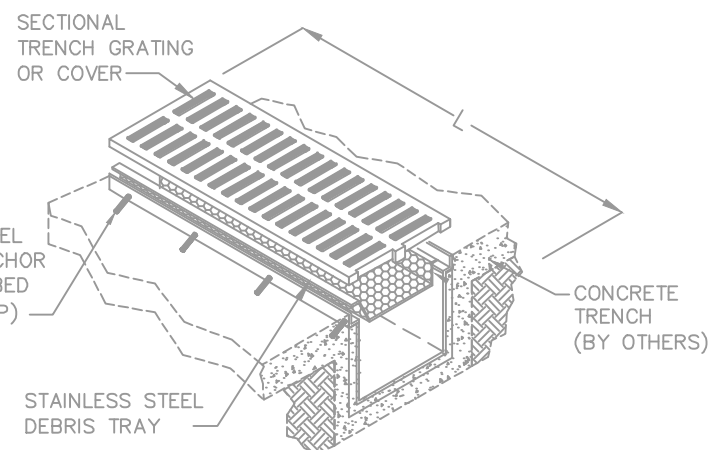
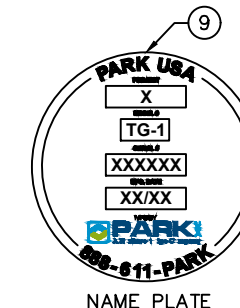
SIDE VIEW



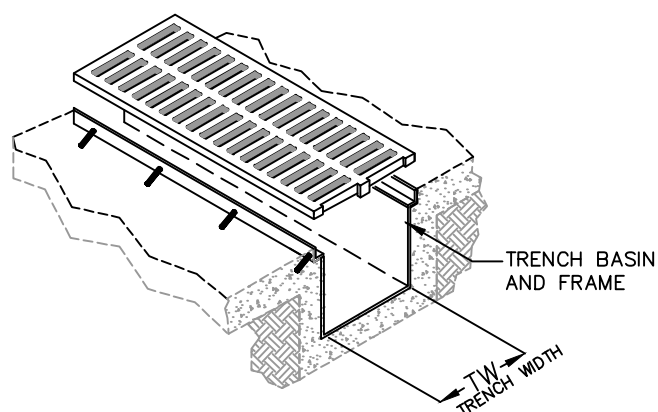
END VIEW



SECTION A-A



ISOMETRIC VIEW: W/ SS DEBRIS TRAY



ISOMETRIC VIEW: STANDARD

KEYED NOTES		
MARK	QTY	DESCRIPTION
1	1	26"W GRATING W/ 24"W TRENCH OPENING, 2" THK, 2' LONG
2	5	LEVELING BRACKETS (48" NOMINAL SPACING)
3	-	REMOVEABLE WALL SUPPORTS
4	-	STEEL COVER 1/4" THK FL PLATE
5	1	4" OUTLET PIPE CONNECTION
6	1	SS SCREEN BASKET 24"W x 12"L x 12"H
7	1	BASKET LIFT HANDLE
8	-	NOT USED
9	1	PREFABRICATED TRENCH SYSTEM MFG: ParkUSA 888-611-PARK WWW.PARKUSA.COM MODEL: TG-1



© ParkUSA. ALL RIGHTS RESERVED.



PRE-FABRICATED TRENCH SYSTEM
MODEL TG-1

PM	PC	DRN	ENG	DWG. NO.	REV.
.	.	.	.	TG-1	A
DATE	2023				

PLOTTED ON 4/18/2024 3:50 PM BY Vu, Kate, C:\Users\vu\Desktop\new.pdf\TG-1

CREATED ON 4/18/2024 BY ... LAST MODIFIED ON 4/18/2024 1:59 PM BY ...