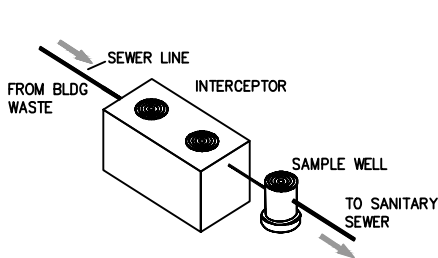
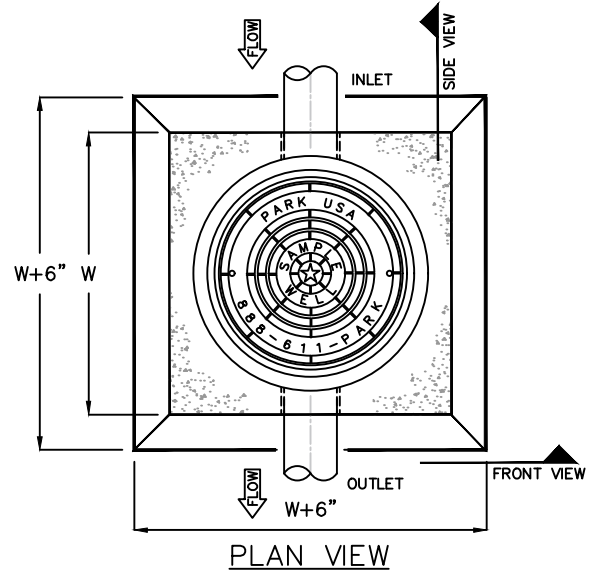


KEY NOTES		
MARK	QTY	DESCRIPTION
1	1	CONCRETE BASE
2	2	SCH 40 PVC SLEEVE (TYP)
3	-	JOINT SEALED W/ NON-SHRINK GROUT
4	1	RISER SECTION RCP PIPE
5	1	CAST IRON RING & COVER
6	-	CONCRETE EXTENSION RINGS AS REQUIRED
7	1	NAMEPLATE INDICATING: MFG: PARKUSA.COM 888-611-PARK WWW.PARKUSA.COM MODEL: SWB-E8 DATE MANUFACTURED



MODEL	DIAMETER "D"	IN & OUT PIPE SIZE	WITH "W"
SWB-E8-154	15"	4"	24"
SWB-E8-156	15"	6"	24"
SWB-E8-158	15"	8"	24"
SWB-E8-184	18"	4"	28"
SWB-E8-186	18"	6"	28"
SWB-E8-188	18"	8"	28"
SWB-E8-244	24"	4"	34"
SWB-E8-246	24"	6"	34"
SWB-E8-248	24"	8"	34"



**NOTES**

- SAMPLING WELL MUST BE INSTALLED UNDER A SEPARATE PLUMBING PERMIT.
- USE 15" FOR INSTALLATION 6'-0" DEEP AND LESS.
- USE 24" FOR INSTALLATION GREATER THAN 6'-0" DEEP. (STD RING AND M.H. COVER REQUIRED)
- SAMPLING WELL MUST BE SET IN A CIRCULAR OR SQUARE CONCRETE PAD (1'-0" GREATER THAN OUTSIDE DIAMETER OF PIPE.)
- INSIDE INSTALLATION NOT PERMITTED, WHERE OUTSIDE INSTALLATION IS POSSIBLE.
- INSTALLATION INSIDE BLDG MUST BE POURED IN PLACE (15"MIN) NO CONCRETE PIPE IS PERMITTED, (AIR-TIGHT COVER REQUIRED.)
- LAWN INSTALLATION MUST BE 4" ABOVE FINISHED GRADE.
- DRIVE & SIDEWALK INSTALLATION MUST BE BROUGHT TO FINISHED GRADE
- TO BE INSTALLED ON PRIVATE PROPERTY, IN AN ACCESSIBLE LOCATION TO CITY PERSONNEL.

**SPECIFICATIONS**

**CONCRETE:** Class I/II concrete with design strength of 4500 PSI at 28 days. Unit is of monolithic construction at floor and first stage of wall with sectional riser to required depth.

**C.I. CASTINGS:** Cast iron rings and grates are manufactured of grey cast iron conforming to ASTM A48 Class 30, Heavy-Duty AASHTO H20/HL93



**SAMPLE WELL BASIN**  
MODEL SWB-E8 - 180° WITH EQUAL INVERTS

PM	PC	DRN	ENG	DWG. NO.	REV.
				SWB-E8-WB	B
DATE				7/24	

© ParkUSA. ALL RIGHTS RESERVED.

LAST MODIFIED BY RWJ ON 7/18/2024 3:44 PM; LAST PLOTTED ON 7/18/2024 3:45 PM BY WJ, KATE; FILE NAME: SWB-E8-WB.DWG