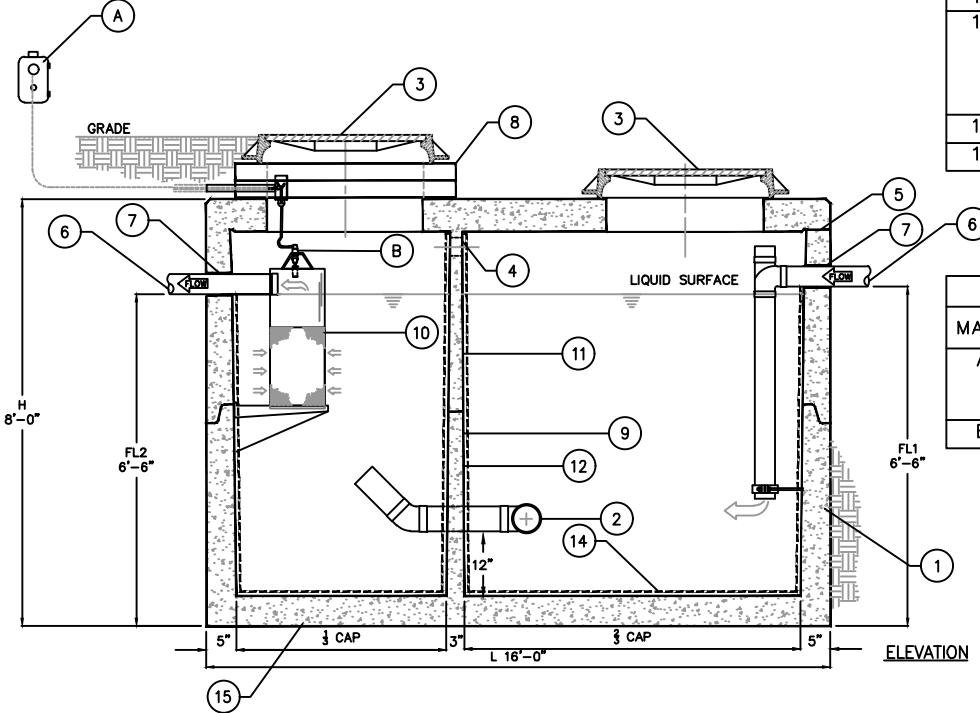


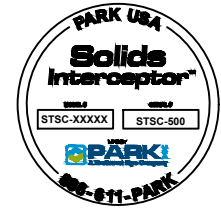
PLAN VIEW



ELEVATION

KEYED NOTES		
MARK	QTY	DESCRIPTION
1	1	PRECAST CONCRETE SOLIDS INTERCEPTOR
2	1	8" PVC MANIFOLD
3	2	24" CAST IRON FRAME AND COVER
4	1	X" VENT SLEEVE
5	1	TAPERED WALL
6	2	INLET AND OUTLET SDR26 PVC PIPING
7	2	RESILIENT RUBBER BOOT
8	1	CONCRETE EXTENSION RINGS AS REQ'D
9	1	MONOLITHIC BAFFLE
10	1	REMOVABLE SS FILTER SCREEN
11		4'-0" TOP
12		3'-0" BOTTOM
13	1	NAMEPLATE INDICATING: MFG: ParkUSA 888-611-PARK MODEL: STSC-03 DATE MANUFACTURED
14	1	EPOXY INTERIOR COATING (300M)
15	1	BITUMASTIC EXTERIOR COATING

CONTROL NOTES		
MARK	QTY	DESCRIPTION
A	1	SERVICE ALERT PANEL, NOTIFIES OF CLOGGED FILTER w/ AUDIBLE & VISUAL ALARM (120V/5 AMP)
B	1	FILTER MAINTENANCE



- APPLICATIONS**
- KITCHEN DISPOSAL & GRINDER WASTELINES
 - LIVESTOCK/BARN
 - MANUFACTURING AREAS
 - MEDICAL WASTE
 - MANUFACTURING FACILITY EFFLUENT WATER
 - RECYCLING CENTERS

SOLIDS INTERCEPTOR SCHEDULE										
MODEL NO.	CAPACITY USGal	FLOW RATE GPM	EMPTY WT (LBS)	LENGTH L	WIDTH W	HEIGHT H	INLET FL1	OUTLET FL2		
ST-5000	5,000	250	34,500	16'-0"	8'-6"	8'-0"	6'-6"	6'-6"		

OTHER SIZES ARE AVAILABLE. CONTACT US FOR MORE INFORMATION

GENERAL INFORMATION

THE STSC SOLIDS INTERCEPTOR IS USED TO PREVENT POTENTIALLY HARMFUL DEBRIS FROM ENTERING INTO THE PUBLIC SANITARY SEWER. THE MULTI-CHAMBER TANK SEPARATES & COLLECTS THE DEBRIS FROM THE WASTEWATER. AN EFFLUENT SCREEN POLISHES THE WASTEWATER PRIOR TO ENTERING THE PUBLIC SEWER. A SERVICE ALERT SYSTEM WILL INDICATE WHEN SERVICE IS NEEDED. EASY MAINTENANCE IS PERFORMED BY PUMPING OUT THE UNIT BY A PROFESSIONAL WASTE DISPOSAL SERVICE. THE EFFLUENT SCREEN CAN BE REMOVED & CLEANED AS REQUIRED.


Specifications

- CONCRETE:** Class I/II concrete with design strength of 4500 PSI at 28 days. Unit is of monolithic construction at floor, first stage of wall and baffle with sectional riser to required depth. gross empty weight of approximately indicated.
- REINFORCEMENT:** Grade 60 reinforced with steel rebar conforming to ASTM A615 on required centers or equal. Structural design is based on AASHTO HS20 loading.
- C.I. CASTINGS:** Manhole frames, covers or grates are manufactured of grey cast iron conforming to ASTM A48-76 Class 30. Manhole shall have 24 inch inside diameter and be traffic duty.

Engineering Data

Interceptor is structurally and hydraulically engineered conforming to UPC/IPC Plumbing Codes. Nominal liquid capacity as indicated. Manufacturer shall provide buoyancy calculations certified by a licensed engineer upon request. Field excavation and preparation shall be completed prior to delivery of interceptor. Use dimensional data as shown.





PARK USA
A Northwest Pipe Company

SOLIDS INTERCEPTOR
MODEL STSC SIZE 5000 GALLONS

PM	PC	DRN	ENG	DWG. NO.	REV.
				STSC-3	A
DATE		2023			

CREATED ON 4/19/2024 BY: [Name] LAST MODIFIED ON 4/19/2024 4:02 PM BY: [Name]

PLOTTED ON 4/19/2024 4:03 PM BY: [Name] C:\Users\yvu\Desktop\file replacement website\STSC-3

© ParkUSA. ALL RIGHTS RESERVED.