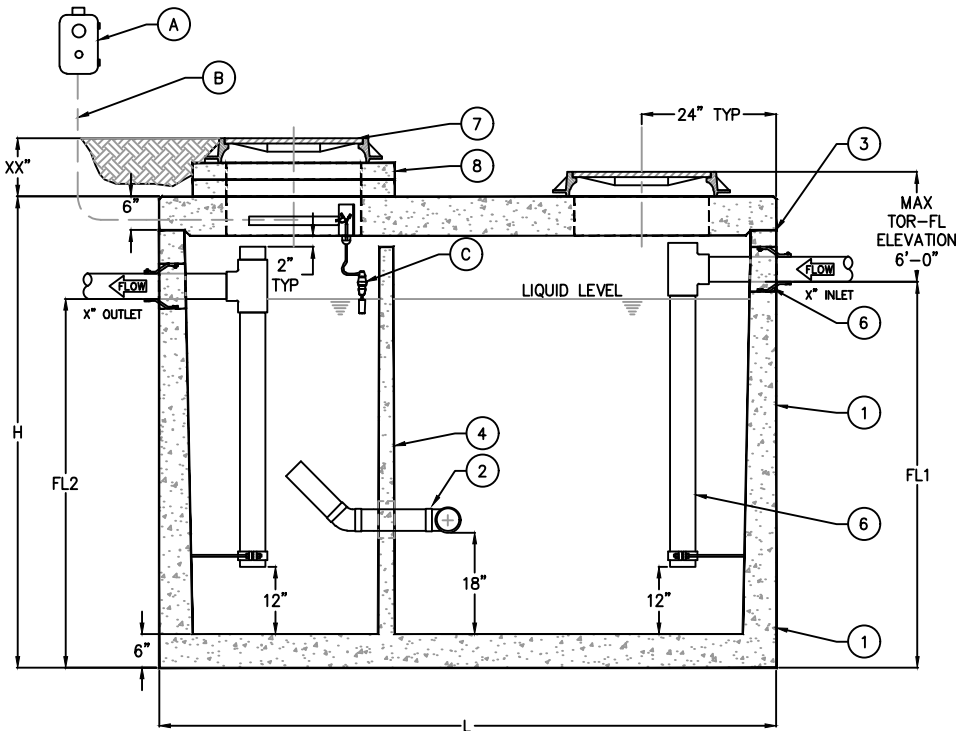


PLAN VIEW

KEYED NOTES		
MARK	QTY	DESCRIPTION
1	1	PRECAST CONCRETE SOLIDS INTERCEPTOR
2	1	4" PVC DOUBLE TEE MANIFOLD
3	1	TAPERED WALL
4	1	MONOLITHIC BAFFLE
5	2	SCH 40 PVC PIPING
6	2	RESILIENT RUBBER BOOT
7	2	24" CAST IRON FRAME & COVER
8	-	CONCRETE EXTENSION RINGS AS REQ'D
9	1	4" VENT COUPLING
10	1	NAMEPLATE INDICATING: MFG: ParkUSA 888-611-PARK MODEL: SI-02 DATE MANUFACTURED

CONTROL NOTES		
MARK	QTY	DESCRIPTION
A	1	SERVICE ALERT PANEL, NOTIFIES OF CLOGGED FILTER w/ AUDIBLE & VISUAL ALARM (OPTIONAL)
B	-	CABLE & CONDUIT ROUTED TO ALARM (120V/5 AMP)
C	1	HIGH LEVEL PROBE



ELEVATION



NAMEPLATE

APPLICATIONS

- KITCHEN DISPOSAL & GRINDER WASTELINES
- LIVESTOCK/BARN
- MANUFACTURING AREAS
- MEDICAL WASTE
- MANUFACTURING FACILITY EFFLUENT WATER

SOLIDS INTERCEPTOR SCHEDULE								
MODEL NO.	CAPACITY USGal	FLOW RATE GPM	EMPTY WT (LBS)	LENGTH L	WIDTH W	HEIGHT H	INLET FL1	OUTLET FL2
SI-500	500	50	9,500	7'-10"	4'-4"	4'-6"	3'-3"	3'-0"
SI-750	750	75	9,900	7'-10"	4'-4"	6'-0"	4'-5"	4'-2"
SI-1000	1,000	100	13,350	8'-8"	5'-0"	6'-0"	4'-9"	4'-6"
SI-1250	1,250	125	14,650	9'-2"	5'-8"	6'-0"	4'-9"	4'-6"
SI-1500	1,500	150	16,050	9'-2"	5'-8"	7'-0"	5'-9"	5'-6"
SI-2000	2,000	200	21,250	9'-0"	6'-0"	8'-0"	6'-9"	6'-6"

OTHER SIZES ARE AVAILABLE. CONTACT US FOR MORE INFORMATION

SPECIFICATIONS

CONCRETE: CLASS I/II CONCRETE WITH DESIGN STRENGTH OF 4500 PSI AT 28 DAYS. UNIT IS OF MONOLITHIC CONSTRUCTION AT FLOOR, FIRST STAGE OF WALL AND BAFFLE WITH SECTIONAL RISER TO REQUIRED DEPTH. (MONOLITHIC BAFFLE REQUIRED, SLIDE-IN TYPE NOT ACCEPTABLE).

REINFORCEMENT: GRADE 60 REINFORCED WITH STEEL REBAR CONFORMING TO ATSM A615 ON REQUIRED CENTERS OR EQUAL.

C.I. CASTINGS: MANHOLE FRAMES, COVERS OR GRATES ARE MANUFACTURED OF GREY CAST IRON CONFORMING TO ASTM A48-76 CLASS 30. MANHOLE SHALL BE NOMINAL 24 INCH DIAMETER AND BE TRAFFIC DUTY.

Engineering Data

THE GREASE INTERCEPTOR IS STRUCTURALLY & HYDRAULICALLY ENGINEERED TO CONFORM TO UPC/IPC AND REGIONAL PLUMBING CODES RECOMMENDED IN MOST CITIES. CONSULT WITH LOCAL AUTHORITIES FOR SPECIFIC APPLICATION REQUIREMENTS.

SHOP DRAWINGS SHALL INCLUDE COMPLETE STRUCTURAL & BUOYANCY CALCULATIONS CERTIFIED BY A LICENSED PROFESSIONAL ENGINEER UPON REQUEST.

CONSULT PARKUSA FOR EXACT EXCAVATION DIMENSIONS & SHIPPING INFORMATION.



© ParkUSA. ALL RIGHTS RESERVED.



SOLIDS INTERCEPTOR SERIES SI  
MODELS 500 THRU 2,000 GALLON CAPACITY

PM	PC	DRN	ENG	DWG. NO.	REV.
DATE	2023			SI-2	A

PLOTTED ON 4/19/2024 4:19 PM BY Yu, Kate, C:\Users\Yu\Desktop\File replacement website\SI-2