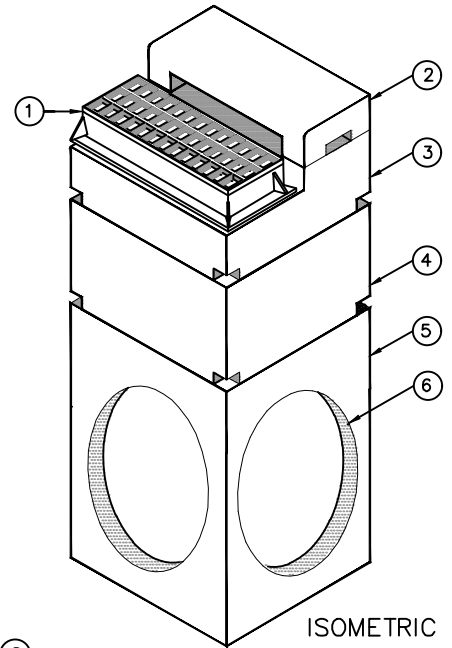
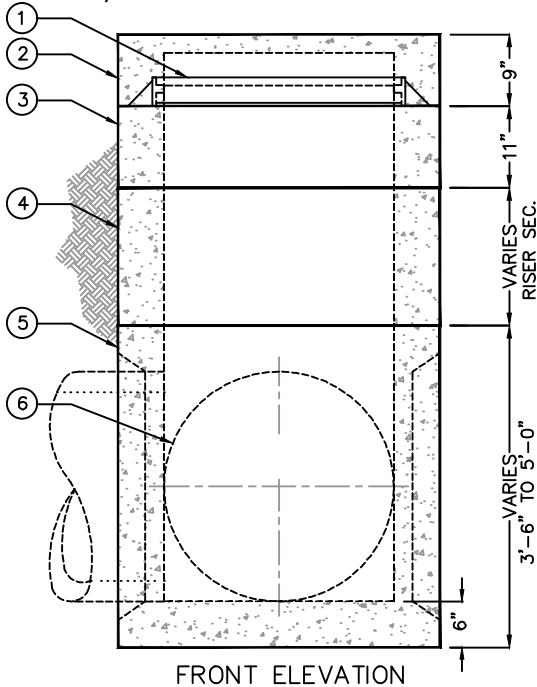


STD. CITY OF HOUSTON
CAST IRON FRAME &
GRATE (PLATE AVAILABLE)

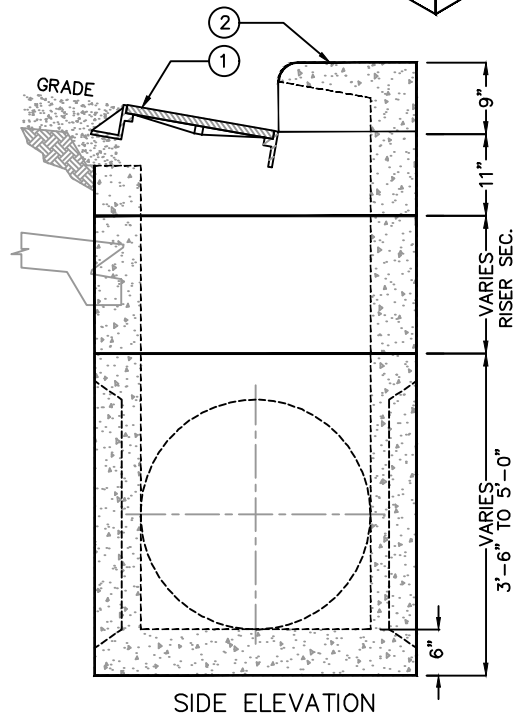
PLAN



ISOMETRIC



FRONT ELEVATION



SIDE ELEVATION

KEYED NOTES		
MARK	QTY	DESCRIPTION
1	1	STD. CITY OF HOUSTON C.I. FRAME & GRATE (PLATE AVAILABLE)
2	1	TOP SECTION
3	1	MID SECTION
4	1	RISER SECTION
5	1	BOTTOM SECTION
6	4	TYPICAL THIN WALL KNOCK-OUT AS REQ'D

APPROVED FOR
CITY OF HOUSTON

© ParkUSA. ALL RIGHTS RESERVED.

SPECIFICATIONS

CONCRETE : CLASS 1/II CONCRETE WITH OF DESIGN STRENGTH OF 4500 PSI AT 28 DAYS. UNIT IS OF MONOLITHIC CONSTRUCTION AT FLOOR AND FIRST STAGE OF WALL WITH SECTIONAL RISER TO REQUIRED DEPTH. RATED FOR H-20 LOADING.

REINFORCEMENT: GRADE 60 REINFORCED. NO. 4 STEEL REBAR TO CONFORM TO ASTM A615 ON REQUIRED CENTERS OR EQUAL.

C.I. CASTINGS: CAST IRON FRAMES AND GRATES ARE MANUFACTURED OF GREY CAST IRON CONFORMING TO ASTM A48-76 CLASS 30.



TYPE B CURB INLET
CITY OF HOUSTON - MODEL COHBI-2

PM	PC	DRN	ENG	DWG. NO.	REV.
				COHBI-2	A
DATE				2023	