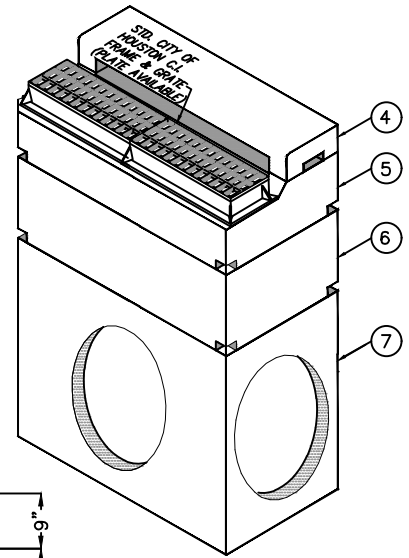
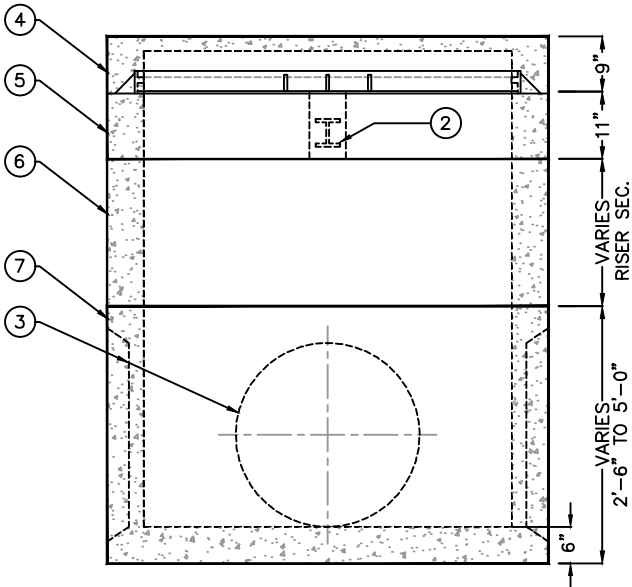


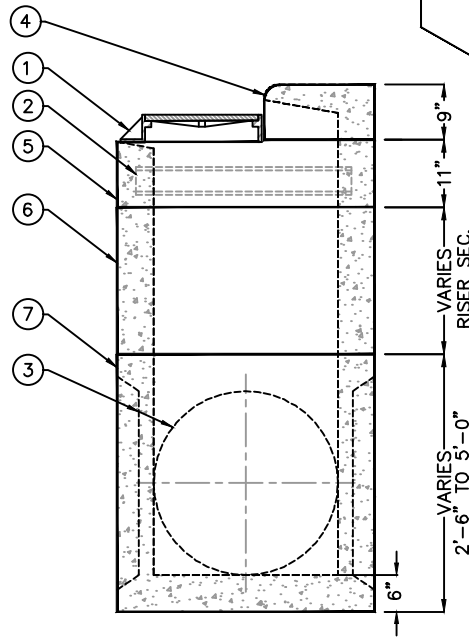
PLAN ①



ISOMETRIC



FRONT ELEVATION



SIDE ELEVATION

KEYED NOTES

MARK	QTY	DESCRIPTION
1	1	STD. CITY OF HOUSTON CAST IRON GRATE (PLATE AVAILABLE)
2	1	CENTER I-BEAM SUPPORT
3	4	TYPICAL THIN WALL KNOCK-OUT AS REQ'D
4	1	TOP SECTION
5	1	MID SECTION
6	1	RISER SECTION
7	1	BOTTOM SECTION

APPROVED FOR
CITY OF HOUSTON

© ParkUSA. ALL RIGHTS RESERVED.

SPECIFICATIONS

CONCRETE: CLASS I/II CONCRETE WITH OF DESIGN STRENGTH OF 4500 PSI AT 28 DAYS. UNIT IS OF MONOLITHIC CONSTRUCTION AT FLOOR AND FIRST STAGE OF WALL WITH SECTIONAL RISER TO REQUIRED DEPTH. RATED FOR H-20 LOADING.

REINFORCEMENT: GRADE 60 REINFORCED. NO. 4 STEEL REBAR TO CONFORM TO ASTM A615 ON REQUIRED CENTERS OR EQUAL.

C.I. CASTINGS: CAST IRON FRAMES AND GRATES ARE MANUFACTURED OF GREY CAST IRON CONFORMING TO ASTM A48-76 CLASS 30.



TYPE BB - CURB INLET GRATE
CITY OF HOUSTON - MODEL COHBBIG-2

PM	PC	DRN	ENG	DWG. NO.	REV.
				COHBBIG-2	A
DATE				2023	

PLOTTED ON 4/22/2024 12:15 PM BY Vu, Kacie, D:\File replacement website\COHBBIG-2