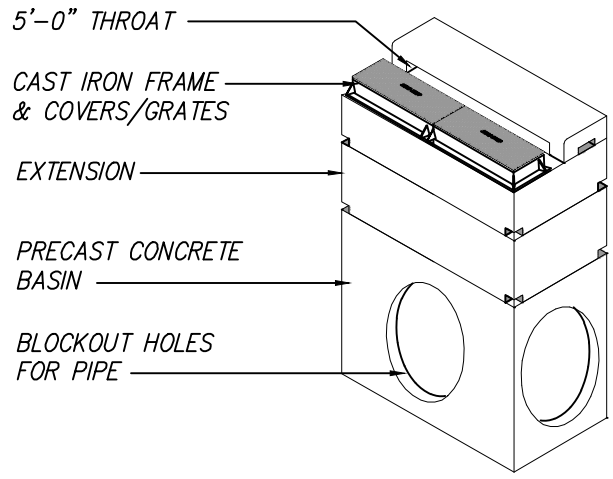
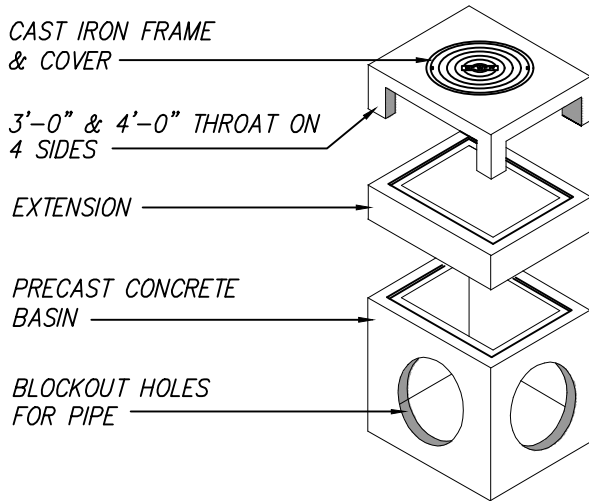


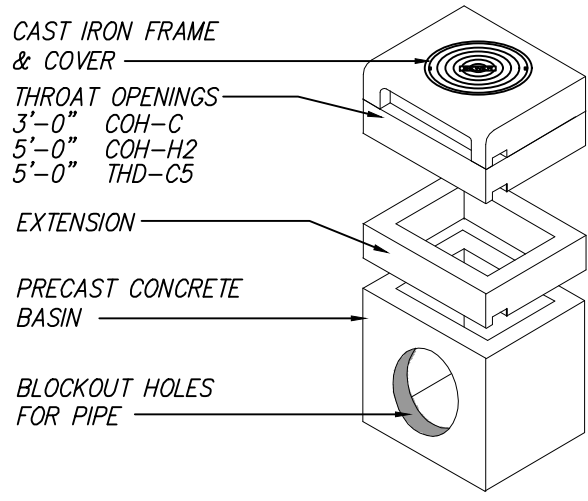
TYPE-B CURB INLET



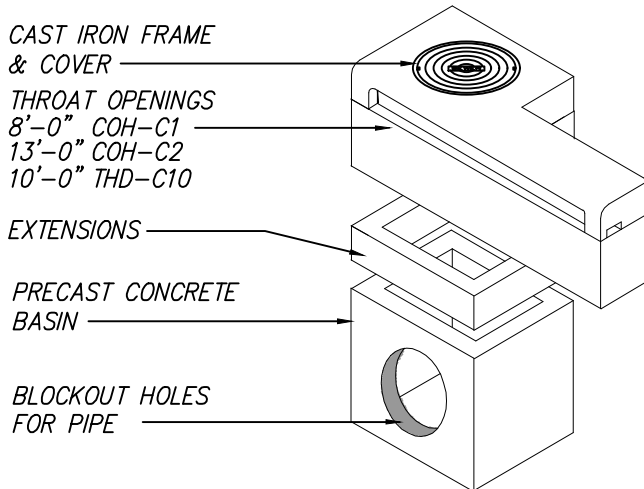
TYPE-BB CURB INLET



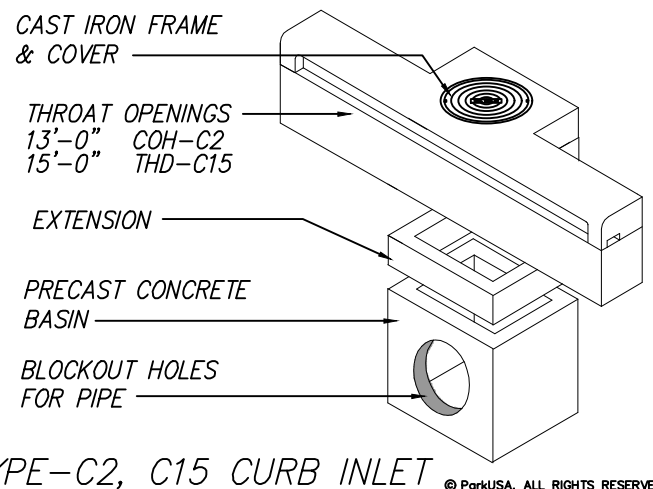
TYPE-E CURB INLET



TYPE-C, C5 & H2 CURB INLET



TYPE-C, C-1, C-10 CURB INLET



TYPE-C2, C15 CURB INLET

Specifications

CONCRETE : Class I/II concrete with of design strength of 4500 PSI at 28 days. Rated for H-20 loading.

REINFORCEMENT: Structural reinforcement conforming to ASTM-C-478.

C.I. CASTINGS: Cast iron frames and grates are manufactured of grey cast iron conforming to ASTM A48-76 Class 30.



PRECAST CONCRETE CURB INLETS

PM	PC	DRN	ENG	DWG. NO.	REV.
.	.	.	.	CBIN-1	A
DATE				2023	

PLOTTED ON 4/19/2024 3:29 PM BY Vu, Kate. C:\Users\vu\Desktop\file replacement website\CBIN-1

© ParkUSA. ALL RIGHTS RESERVED.