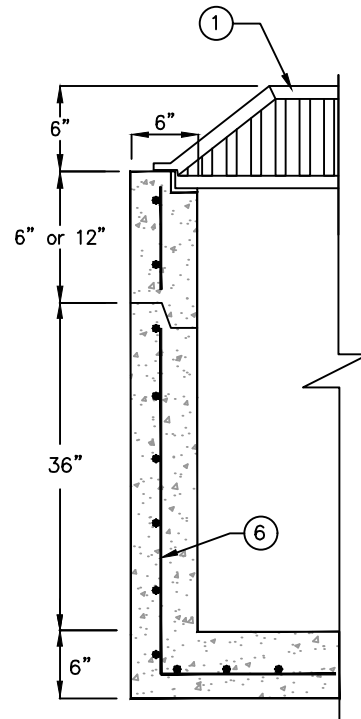
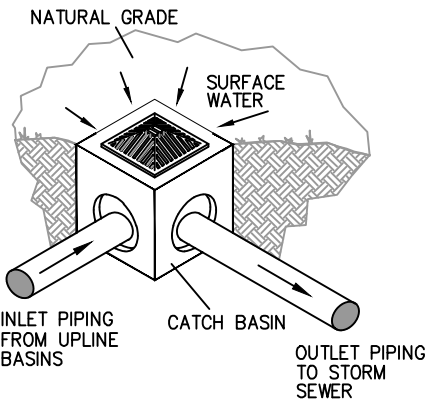


ISOMETRIC



PARTIAL SECTION

KEYED NOTES		
MARK	QTY	DESCRIPTION
1	1	EAST JORDAN MODEL V6500 HEAVY DUTY DITCH GRATE (WEIGHT 200 lbs.)
2	1	CAST IN STEEL FRAME
3	1	OPTIONAL EXTENSION (WEIGHT 6" 440 lbs.) (WEIGHT 12" 875 lbs>)
4	1	BASIN SECTION (WEIGHT 2700 lbs.)
5	2	24" DIAMETER KNOCK OUT (WILL ACCOMMODATE UP TO 18" RCP OR 20" PVC)
6	1	REBAR AS REQ'D
7	1	NAMEPLATE MFG: PARKUSA 888-611-PARK WWW.PARKUSA.COM MODEL CBDG6500-24



NAME PLATE

SPECIFICATIONS

- CONCRETE:** CLASS 1/II CONCRETE WITH OF DESIGN STRENGTH OF 4500 PSI AT 28 DAYS. UNIT IS OF MONOLITHIC CONSTRUCTION AT FLOOR AND FIRST STAGE OF WALL WITH SECTIONAL RISER TO REQUIRED DEPTH. RATED FOR H-20 LOADING.
- REINFORCEMENT:** GRADE 60 REINFORCED. STEEL REBAR CONFORMING TO ASTM A615 ON REQUIRED CENTERS OR EQUAL.
- C.I. CASTINGS:** CAST IRON FRAMES AND GRATES ARE MANUFACTURED OF GREY CAST IRON CONFORMING TO ASTM A48-76 CLASS 30.



DITCH GRATE INLET w/V6500 GRATE
MODEL CBDG6500-24

PM	PC	DRN	ENG	DWG. NO.	REV.
				CBDG6500-24	A
DATE 2023					

© ParkUSA. ALL RIGHTS RESERVED.

PLOTTED ON 4/19/2024 3:25 PM BY Vu. Kate. C:\Users\vu\Desktop\file replacement website\CBDG6500-24