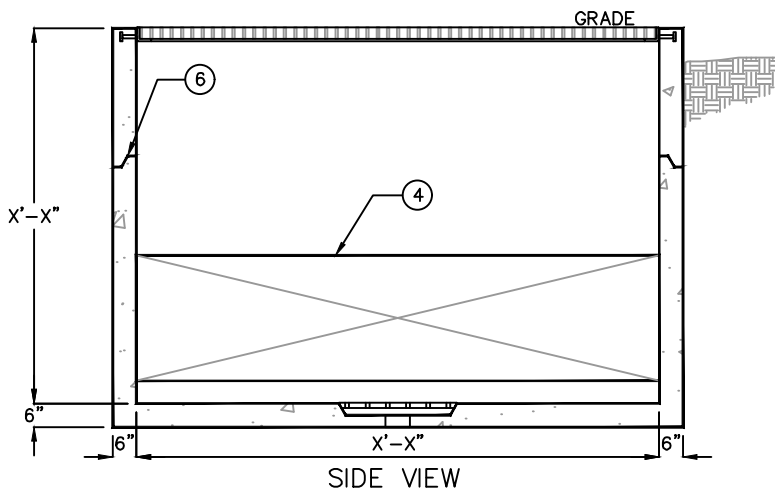


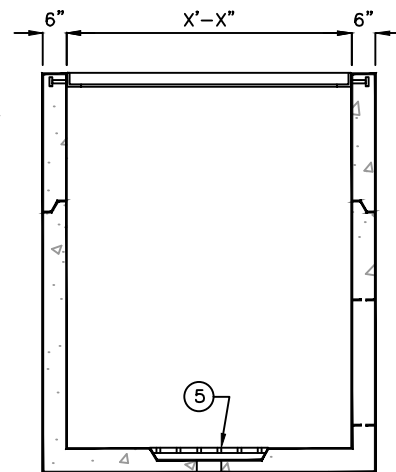
KEYED NOTES		
MARK	QTY	DESCRIPTION
1	1	GALVANIZED BAR GRATING W/ STEEL FRAME
2	1	PRECAST CONCRETE BASIN SECTION
3	1	RISER SECTION
4	1	SLOTTED OPENING
5	1	12"x12"x3" SUMP W/ CI GRATE & PVC COUPLING
6	1	ALL JOINTS MADE WATER-TIGHT W/ PLASTIC FLEXIBLE GASKET (RAM-NEK)
7	1	NAMEPLATE MFG: PARKUSA 888-611-PARK WWW.PARKUSA.COM MODEL CB-VLT



NAME PLATE



SIDE VIEW



END VIEW



© ParkUSA. ALL RIGHTS RESERVED.

**SPECIFICATIONS**

**CONCRETE :** CLASS I/II CONCRETE WITH OF DESIGN STRENGTH OF 4500 PSI AT 28 DAYS. UNIT IS OF MONOLITHIC CONSTRUCTION AT FLOOR AND FIRST STAGE OF WALL WITH SECTIONAL RISER TO REQUIRED DEPTH. RATED FOR H-20 LOADING.

**REINFORCEMENT:** GRADE 60 REINFORCED WITH STEEL REBAR TO CONFORM TO ASTM A615 ON REQUIRED CENTERS OR EQUAL.

**GRATING:** ALL STEEL FABRICATION SHALL BE IN ACCORDANCE TO AWA D1.1. STEEL SHALL BE ASTM A36 CARBON STEEL, AND HOT-DIPPED GALVANIZED AFTER FABRICATION IN ACCORDANCE TO ASTM A123



**CATCH BASIN VAULT  
MODEL CB-VLT**

PM	PC	DRN	ENG	DWG. NO.	REV.
				CB-VLT	A
DATE				2023	