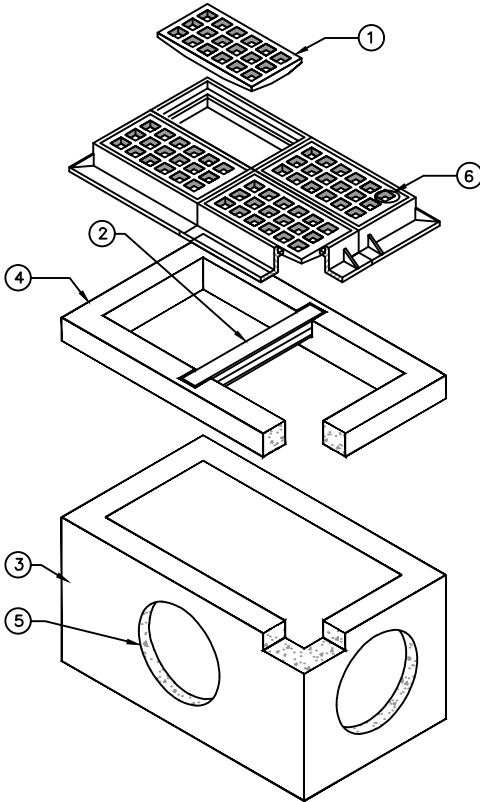


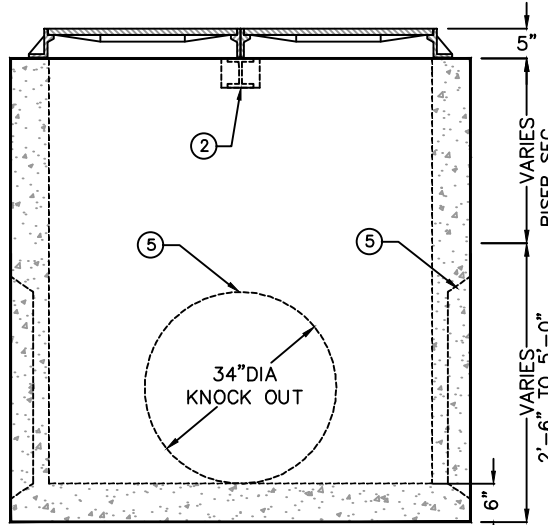
PLAN VIEW



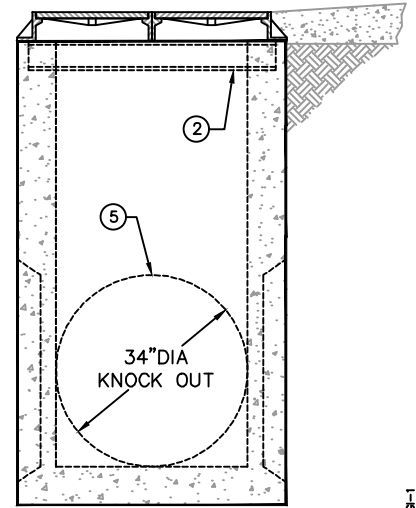
NAME PLATE



ISOMETRIC VIEW



FRONT ELEVATION



SIDE ELEVATION

KEYED NOTES		
MARK	QTY	DESCRIPTION
1	4	30"x17" HD CAST IRON FRAME & GRATE
2	1	CENTER I-BEAM SUPPORT (OPTIONAL)
3	1	BASIN SECTION CONCRETE RISER (OPTIONAL)
4	1	34" DIAMETER KNOCK OUT (WILL ACCOMMODATE UP TO 24" RCP)
5	4	NAMEPLATE MFG: ParkUSA 888-611-PARK WWW.PARKUSA.COM DATE MANUFACTURED MODEL: BBGI-1

APPROVED FOR HOUSTON

SPECIFICATIONS

CONCRETE:

CLASS I/II CONCRETE WITH OF DESIGN STRENGTH OF 4500 PSI AT 28 DAYS. UNIT IS OF MONOLITHIC CONSTRUCTION AT FLOOR AND FIRST STAGE OF WALL WITH SECTIONAL RISER TO REQUIRED DEPTH. RATED FOR H-20 LOADING.

REINFORCEMENT:

GRADE 60 REINFORCED. NO. 4 STEEL REBAR TO CONFORM TO ASTM A615 ON REQUIRED CENTERS OR EQUAL.

C.I. CASTINGS:

CAST IRON FRAMES AND GRATES ARE MANUFACTURED OF GREY CAST IRON CONFORMING TO ASTM A48-76 CLASS 30.



© ParkUSA. ALL RIGHTS RESERVED.



TYPE B GRATE INLET CITY OF HOUSTON
MODEL BBGI-1

PM	PC	DRN	ENG	DWG. NO.	REV.
				BBGI-1	A
DATE					

PLOTTED ON 4/19/2024 2:53 PM BY Vu. Kate. C:\Users\vu\Desktop\file replacement website\BBGI-1